

ACRIS®

# PFA LINED BALL VALVES

---



[WWW.AMRESIST.COM](http://WWW.AMRESIST.COM)

# Amrēsist®

A  Bray Company

控制阀大全-三千控制阀网  
[www.cv3000.com](http://www.cv3000.com)

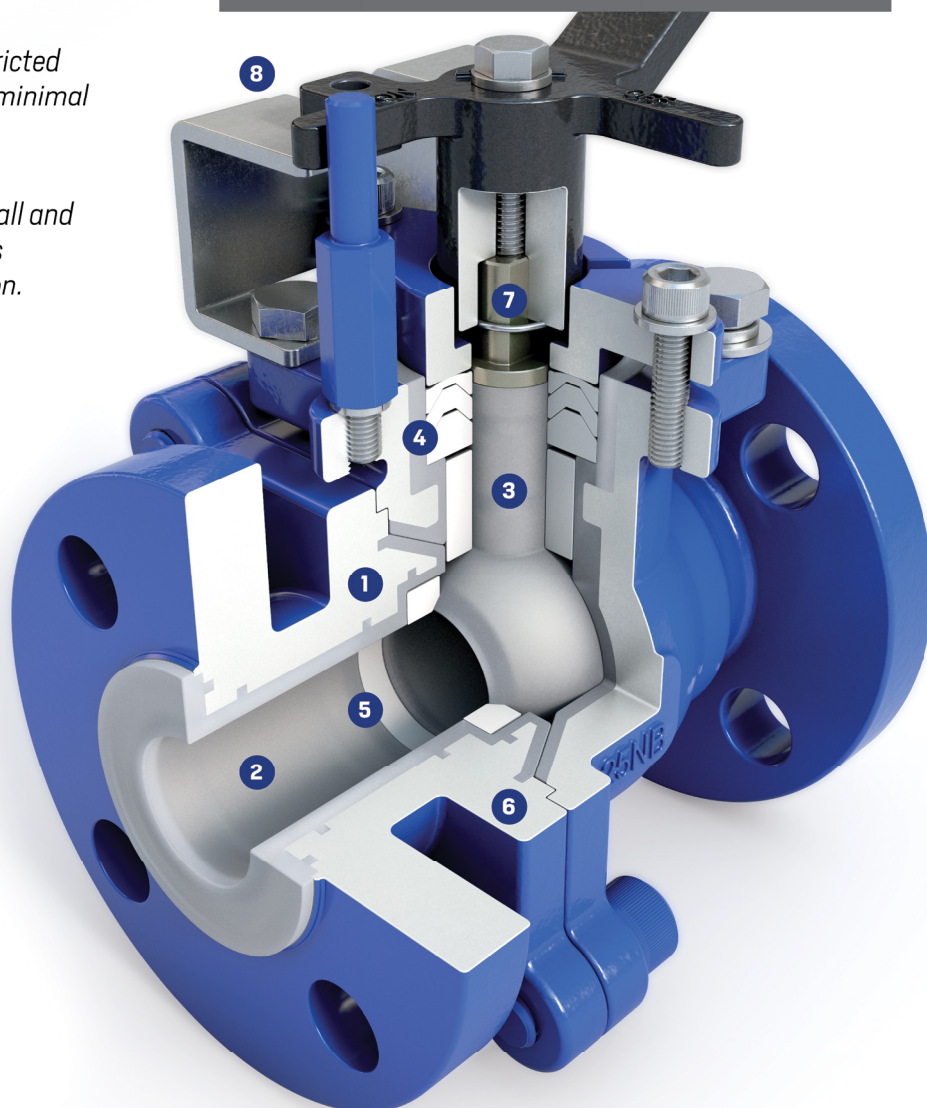
# Acris<sup>®</sup> PFA Lined Full Port Ball Valves

Fully PFA lined full port ball valves engineered for zero leakage shutoff in demanding corrosive and ultra pure industrial applications.

- 1 Fully PFA lined ball, stem and body offer unsurpassed resistance to corrosion, permeation and microbial contamination for maximum purity and reliability.
- 2 Full port design ensures an unrestricted flow path for high flow rates with minimal pressure drop.
- 3 Rugged, high strength one piece ball and stem prevents blowouts and limits hysteresis for dependable operation.
- 4 Adjustable PTFE chevron packing eliminates leak paths and reduces fugitive emissions.
- 5 Durable, corrosion resistant TFM seat designed for zero leakage, low torque isolation.
- 6 Metal-to-metal body joints protect the locked-in liner from damage caused by external forces.
- 7 Anti-static grounding device prevents static buildup.
- 8 ISO 5211 top mounting plate for easy actuation.

## Specifications & Standards

Size Range	1/2" to 6" (15 to 150mm)
Pressure Rating	Up to 250psi (17bar)
Temperature	A216 WCB -20°F to 400°F [-29°C to 204°C] A351 CF8M -49°F to 400°F [-45°C to 204°C]
Body Design	ASME B16.34
Flanges	ASME B16.5 Class 150 RF
Face-to-face	ASME B16.10



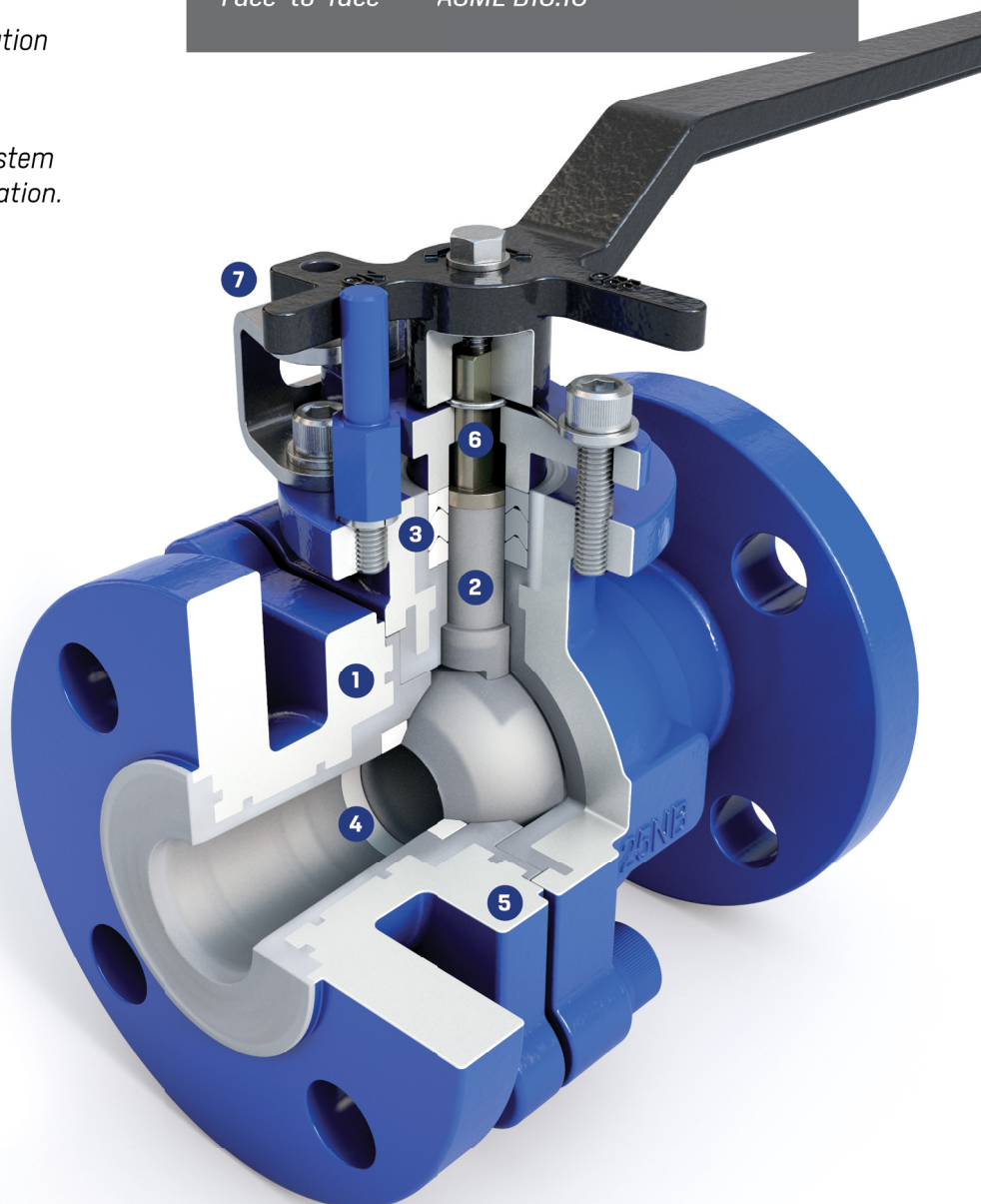
# Acris<sup>®</sup> PFA Lined Standard Port Ball Valves

Fully PFA lined standard port ball valves engineered for zero leakage shutoff in demanding corrosive and ultra pure industrial applications.

## Specifications & Standards

Size Range	1" to 4" (25 to 100mm)
Pressure Rating	Up to 250psi (17bar)
Temperature	-20°F to 400°F (-29°C to 204°C)
Body Design	ASME B16.34
Flanges	ASME B16.5 Class 150 RF
Face-to-face	ASME B16.10

- 1 Fully PFA lined ball, stem and body offer unsurpassed resistance to corrosion, permeation and microbial contamination for maximum purity and reliability.
- 2 Rugged, high strength anti-blowout stem limits hysteresis for dependable operation.
- 3 Adjustable PTFE chevron packing eliminates leak paths and reduces fugitive emissions.
- 4 Durable, corrosion resistant TFM seat designed for zero leakage, low torque isolation.
- 5 Metal-to-metal body joints protect the locked-in liner from damage caused by external forces.
- 6 Anti-static grounding device prevents static buildup.
- 7 ISO 5211 top mounting plate for easy actuation.



# Amresist®

## Acris Full Port Ball Valve Dimensions

Size (In.)	A	B1	C	ØD	PCD	ØE	F	G
1/2	5.12	0.59	0.55	3.50	2.38	0.62	7.00	4.30
3/4	5.90	0.78	0.55	3.85	2.75	0.62	7.00	4.92
1	5.00	0.98	0.67	4.25	3.12	0.63	7.00	4.75
1 1/2	6.50	1.58	0.74	5.00	3.88	0.63	10.00	5.00
2	7.00	1.97	0.80	6.00	4.75	0.75	10.00	5.60
3	8.00	3.15	0.98	7.50	6.00	0.75	12.00	7.00
4	9.00	3.93	0.98	9.00	7.50	0.75	12.00	8.20
6	10.50	5.90	1.10	11.00	9.50	0.88	Gear	Gear

Dimensions are approximate and subject to change.

## Material Specifications

Qty.	Description	Material
2	Body	PFA Lined ASTM A-216 WCB PFA Lined ASTM A-351 CF8M (optional)
1	Ball* & Stem	One Piece CF8, PFA
1	Handle	CS Epoxy Coated
1	Gland Packing	PTFE
2	Seat	TFM
-	Fasteners	18-8 (B7 Optional)
1	Gland Covering	SS 304
1	Lock Out/Tag Out	SS 304
1	Ground Spring	SS 304

\*Optional vented ball for chlorine gas service.

## Cv/Torque

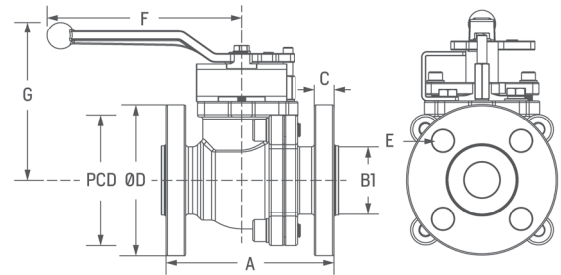
Size	Cv	Torque (in.-lbs.)
1/2	15	89
3/4	25	106
1	50	177
1 1/2	185	222
2	320	310
3	805	443
4	1600	752
6	4500	1947

## Ordering Information

### Ball Full Port (One Piece Stem & Ball)

Size	1/2 to 6 inch
Body Type	FF = Flanged Full Port
Body Material	1f = Carbon Steel PFA Lined, Epoxy Coated 6Mf = PFA Lined ASTM A-351 CF8M
Stem / Ball	6f = 304 Stainless over molded with PFA
Seats	T = TFM
Packing	PTFE Chevron
Body Bolts	18-8 Stainless Steel
Operator	Handle (1/2 to 4 inch) w/ LOTO, Gear (6 inch)
Options	B7 = 9.8 or 10.9 Zinc Plated Bolting (B7 Equivalent) VB = Vented Ball for Chlorine Gas service A4 = 316 SS Bolting OH = Oval Handwheel (2 inch & Smaller)

Example: 4 inch FF-1f 6f T-B7 = 4 inch Flanged Full Port Ball, Carbon Steel Body PFA Lined, 304 SS Stem / Ball PFA over molded, TFM Seats, PTFE Packing, B7 Bolts, Handle w/ LOTO



## Acris Standard Port Ball Valve Dimensions

Size (In.)	A	B1	B2	C	ØD	PCD	ØE	F	G
1	5.00	0.98	0.75	0.67	4.25	3.12	0.63	7.00	4.75
1 1/2	6.50	1.58	0.98	0.74	5.00	3.88	0.63	10.00	5.00
2	7.00	1.97	1.58	0.80	6.00	4.75	0.75	10.00	5.60
3	8.00	3.15	2.56	0.98	7.50	6.00	0.75	12.00	7.00
4	9.00	3.93	3.15	0.98	9.00	7.50	0.75	12.00	8.20

Dimensions are approximate and subject to change.

## Material Specifications

Qty.	Description	Material
2	Body	PFA Lined ASTM A-216 WCB
1	Ball*	CF8, PFA
1	Stem	SS 304, PFA
1	Handle	CS Epoxy Coated
1	Gland Packing	PTFE
2	Seat	TFM
-	Fasteners	18-8 (B7 Optional)
1	Gland Gap	SS 304
1	Lock Out/Tag Out	SS 304
1	Ground Spring	SS 304

\*Optional vented ball for chlorine gas service.

## Cv/Torque

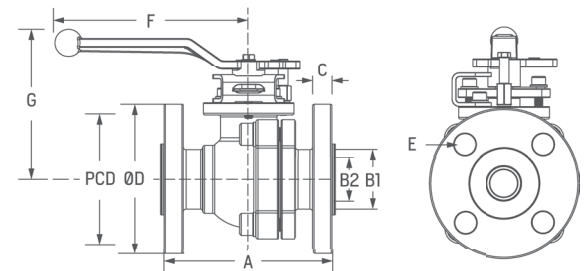
Size	Cv	Torque (in.-lbs.)
1	30	135
1 1/2	45	180
2	198	250
3	350	375
4	640	535

## Ordering Information

### Ball Standard Port (Floating Ball - Two Piece Ball & Stem)

Size	1 to 4 inch
Body Type	FR = Flanged Standard Port
Body Material	1f = Carbon Steel PFA Lined, Epoxy Coated
Stem	6f = 304 Stainless over molded with PFA
Ball	6f = 304 Stainless over molded with PFA
Seats	T = TFM
Packing	PTFE Chevron
Body Bolts	18-8 Stainless Steel
Operator	Handle (1 to 4 inch)
Options	B7 = 9.8 or 10.9 Zinc Plated Bolting (B7 Equivalent) VB = Vented Ball for Chlorine Gas service A4 = 316 SS Bolting OH = Oval Handwheel (2 inch & Smaller)

Example: 3 inch FR-1f 6f 6f T = 3 inch Flanged Standard Port Ball, Carbon Steel Body PFA Lined, 304 SS Stem PFA over molded, 304 SS Ball PFA over molded, TFM Seats, PTFE Packing, 18-8 Bolts, Handle w/ LOTO



# Amresist®

A **Bray** Company

2045 Silber Road, Houston, Texas 77055

Phone: 713-682-0000

sales@amresist.com

Fax: 713-682-0080

www.amresist.com

All statements, technical information, and recommendations in this bulletin are for general use only. Consult your Amresist representative or factory for the specific requirements and material selection for your intended application. The right to change or modify product design or product without prior notice is reserved. Patents issued and applied for worldwide. Amresist® and Acris® are registered trademarks of BRAY INTERNATIONAL, Inc. © 2018 Bray International. All rights reserved. AR-9001\_03-27-2018